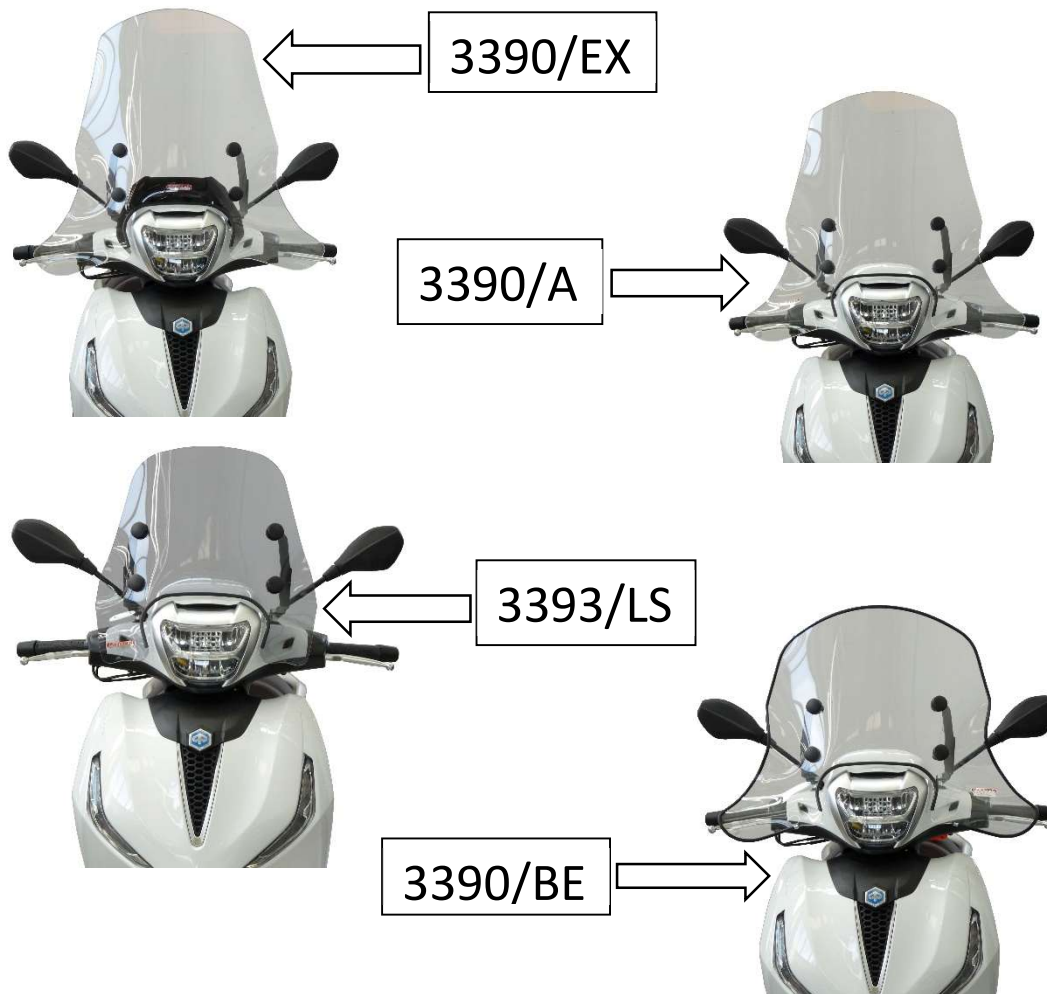


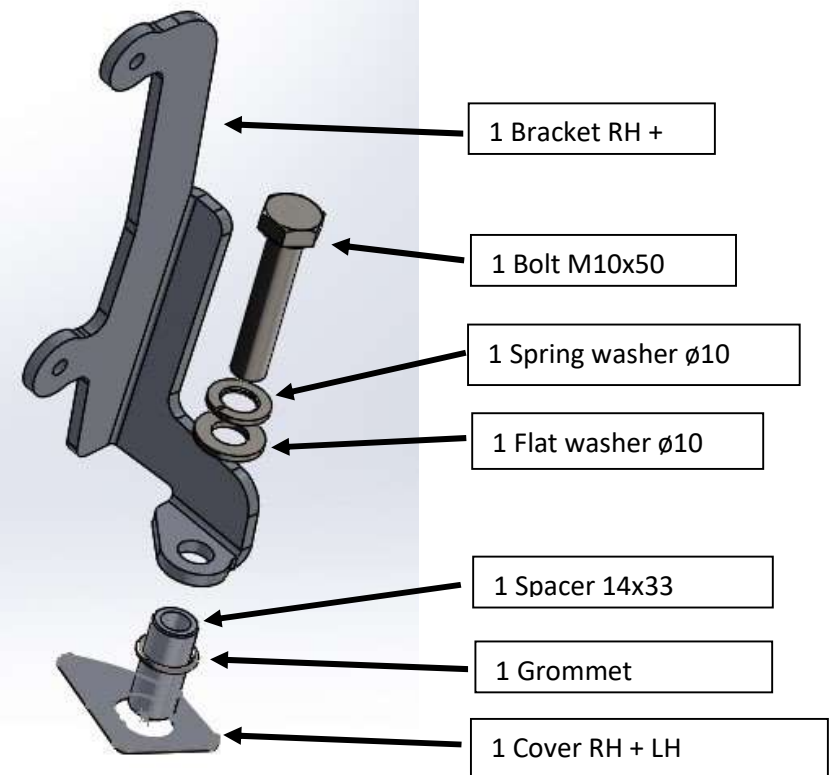
PIAGGIO BEVERLY 300-400 (2021)

3390/EX – 3390/A – 3393/LS – 3390/BE att. 3392/E



RH detail

- 1) Take off the plastic protections of handlebar fixation points beside dashboard
- 2) Insert the grommet in the bush and proceed to fit all parts as shown aside
- 3) Screw all loose
- 4) Fit the screen, center it and tighten the hardware
- 5) Once done, lower the grommet as far as possible to lock the provide cover



Fitting sequence is the sam for LH bracket