

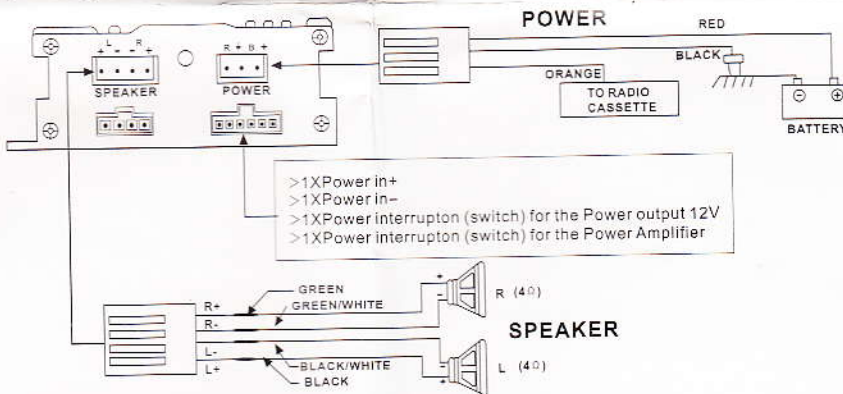
## Features:

- Nickel-Plated RCA Connectors.
- Power On LED Indication.
- High/Flat/Low Pass Filter Built In.
- High/Low Level Input & Speaker Output.

## Specifications:

- Total Harmonic Distortion: Less Than 0.5%.
- Signal To Noise Ratio: More Than 85dB @ 1W.
- Stereo Separation: More Than 55dB.
- Frequency Response: 20 ~ 20KHz
- Output Power (at 14.4V DC Input): MAX 150 Watts x 2CH
- Dimension (mm): L x W x H = 110 x 80 x 40

## Power Input & Output Connection Mode:



## Signal Input Connection Mode:

